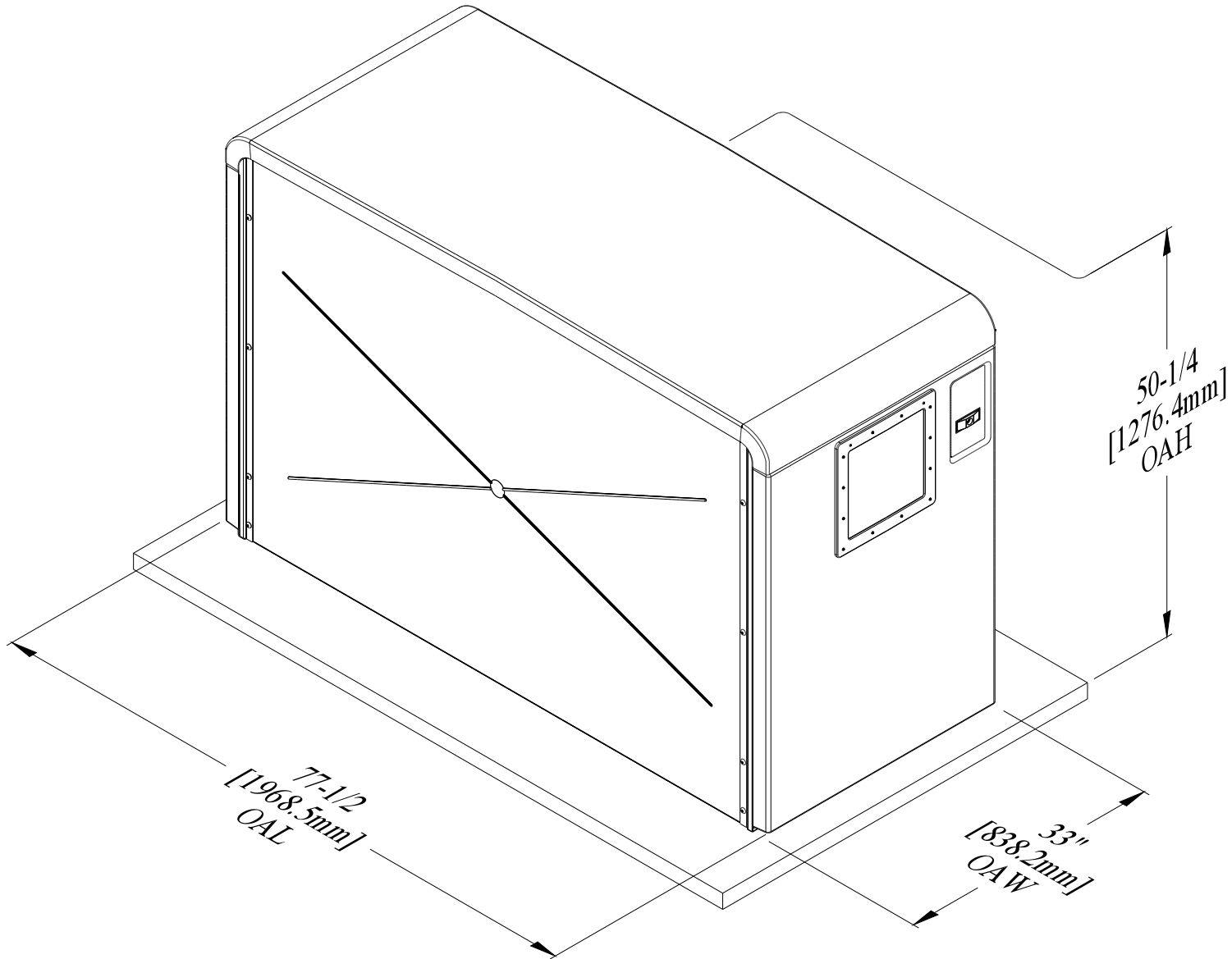
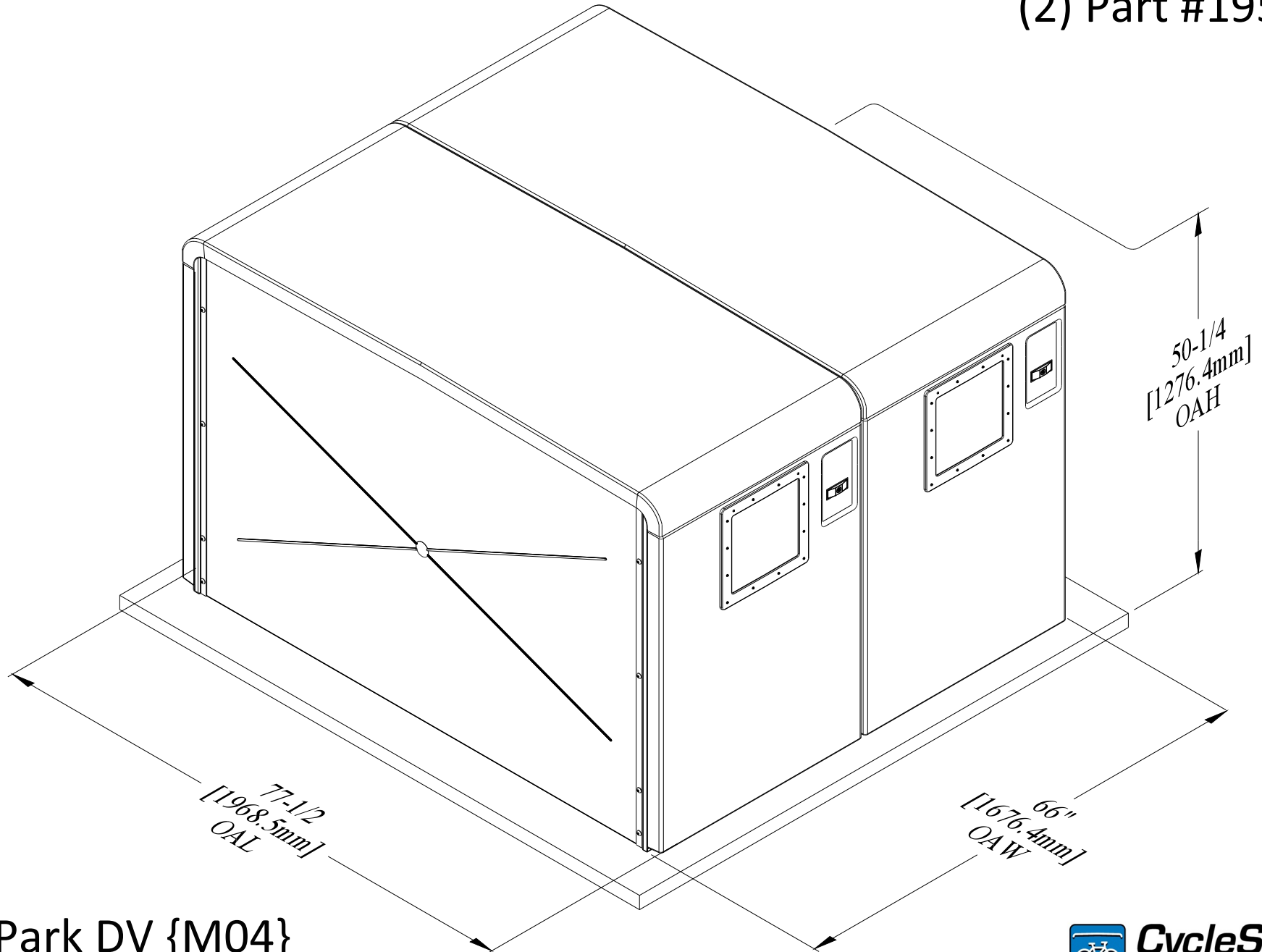


Part #19501



EcoPark DV {M02}  
{2-Bike} Door-View Locker {Dims}

(2) Part #19501



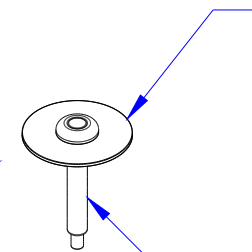
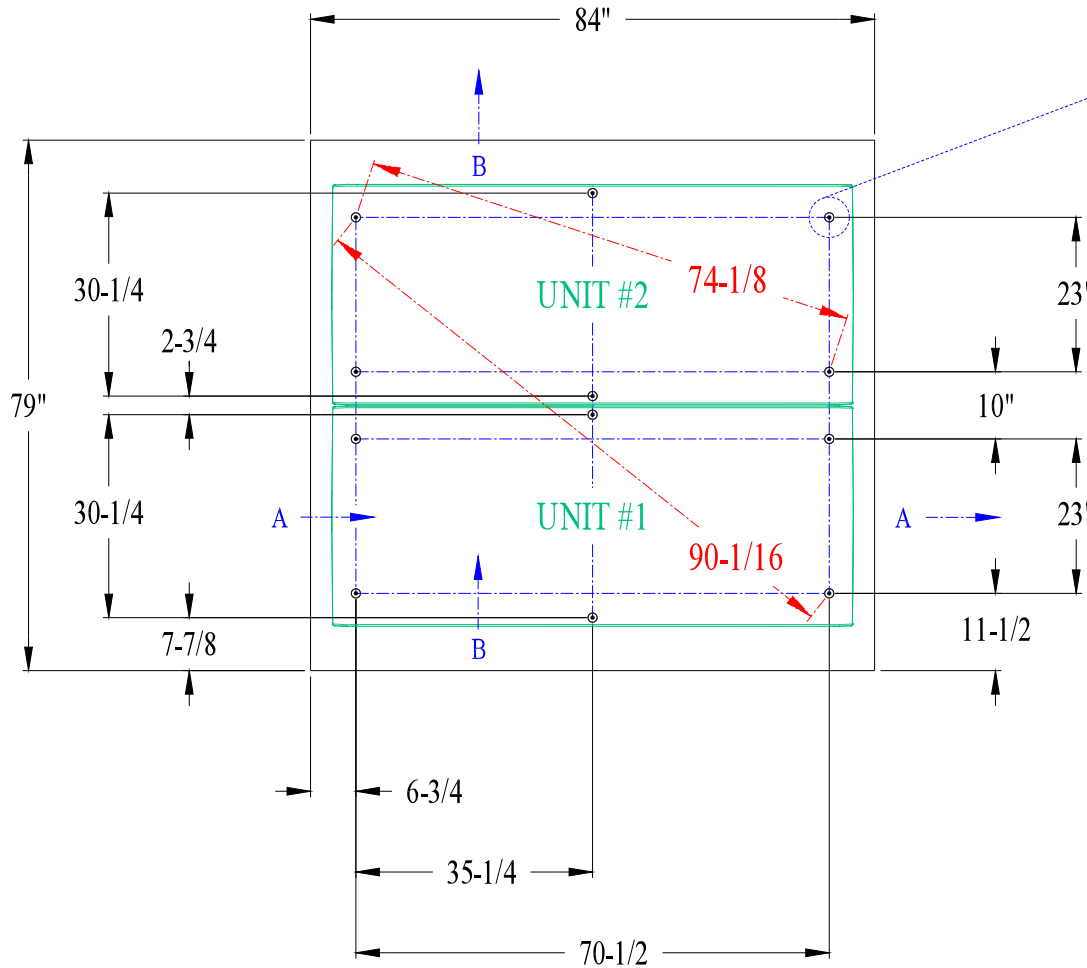
EcoPark DV {M04}  
{4-Bike} Standard Locker {Dims}

NOTE:

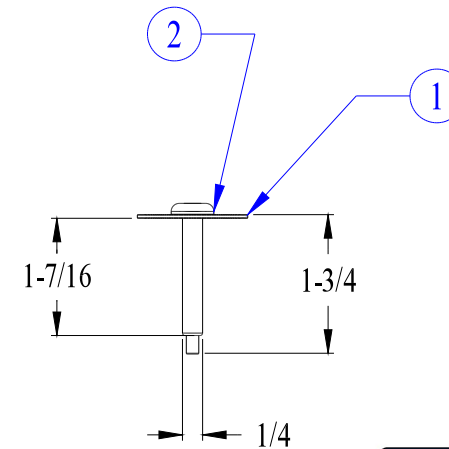
INCLINE ANGLES

A. DOOR-TO-DOOR INCLINE TO BE NO MORE THAN 1 ° SLANT

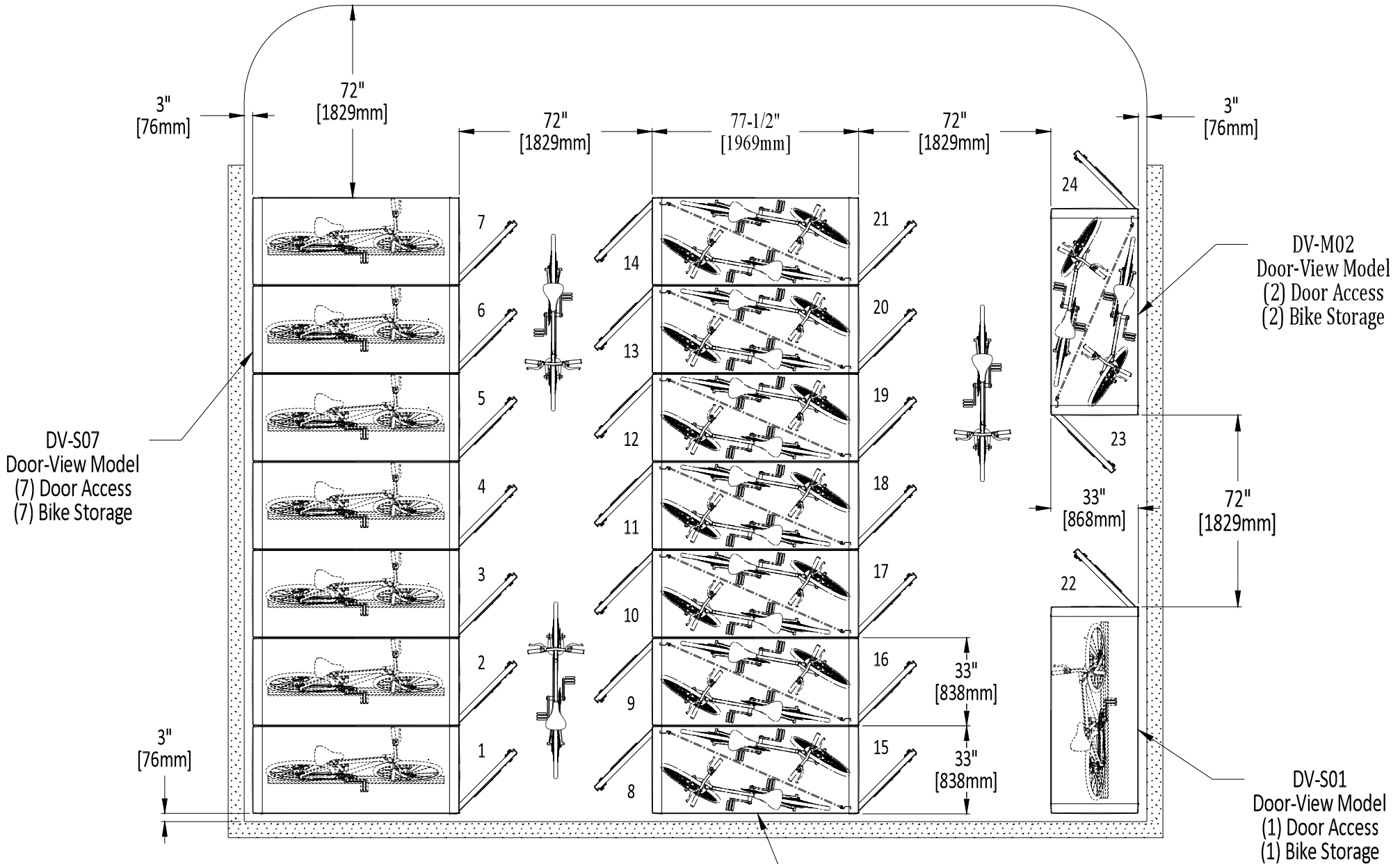
B. BANKING SIDE-TO-SIDE TO BE NO MORE THAN 2 ° SLANT



P/N 19572  
HAMMER 1/4" x 1-1/2"  
DRIVE PIN ANCHOR  
(6) PER UNIT  
②



# EcoPark {M04} Lockers Anchor Placement Locations



# CycleSafe {EcoPark} Lockers

## Locker Clearance & Capacities

DV-M14  
Door-View Model  
(14) Door Access  
(14) Bike Storage



www.cyclesafe.com